

621.326.963

... 1, ... 2, ... 1

1

2

...

:

() [1].

(), [5-8].

[2].

[11].

[3,4].

[5, 10]

.1.

.1

$\lambda_1(t), \lambda_2(t), \dots, \lambda_n$

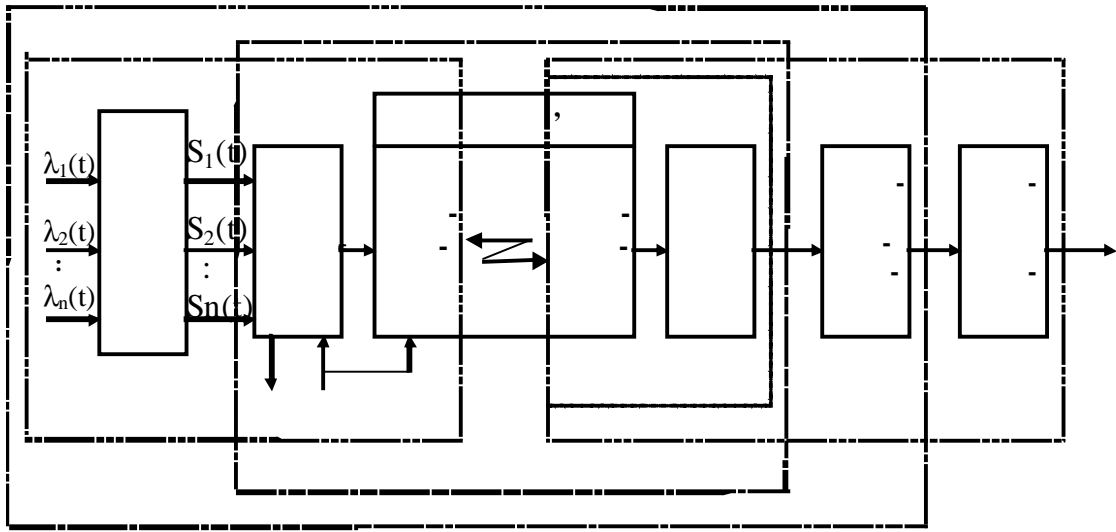
$S_1(t), S_2(t), \dots, S_n(t)$

(t) -

;

;

;



.1.

2.

[7-10].
[11].

();
(),

();
(),

(),
()
().

().

1.

$$y = f^{-1}(\Delta t_i) -$$

Δt
y;

[11].

$$\tilde{\lambda}_i(t) = \{y_i [\lambda_{i_0}]\} -$$

y
[λ_{i_0}].

. 2.

$$\lambda_i(t) \Rightarrow t_i = f(\lambda_i(t)) \Rightarrow t_i = N_i [t_0] \Rightarrow, \quad (1)$$

$$\Rightarrow y_i = f^{-1}(t_i) \Rightarrow \tilde{\lambda}_i(t) = \{y_i [\lambda_{i_0}]\}$$

$$\Delta t_i = f(\lambda_i(t)) \quad (2)$$

$$\lambda_i(t) - f(\lambda_i(t)) - \quad ; \quad (1)$$

. 3.

$$\Delta t;$$

$$t_i = N [t_{0_i}] -$$

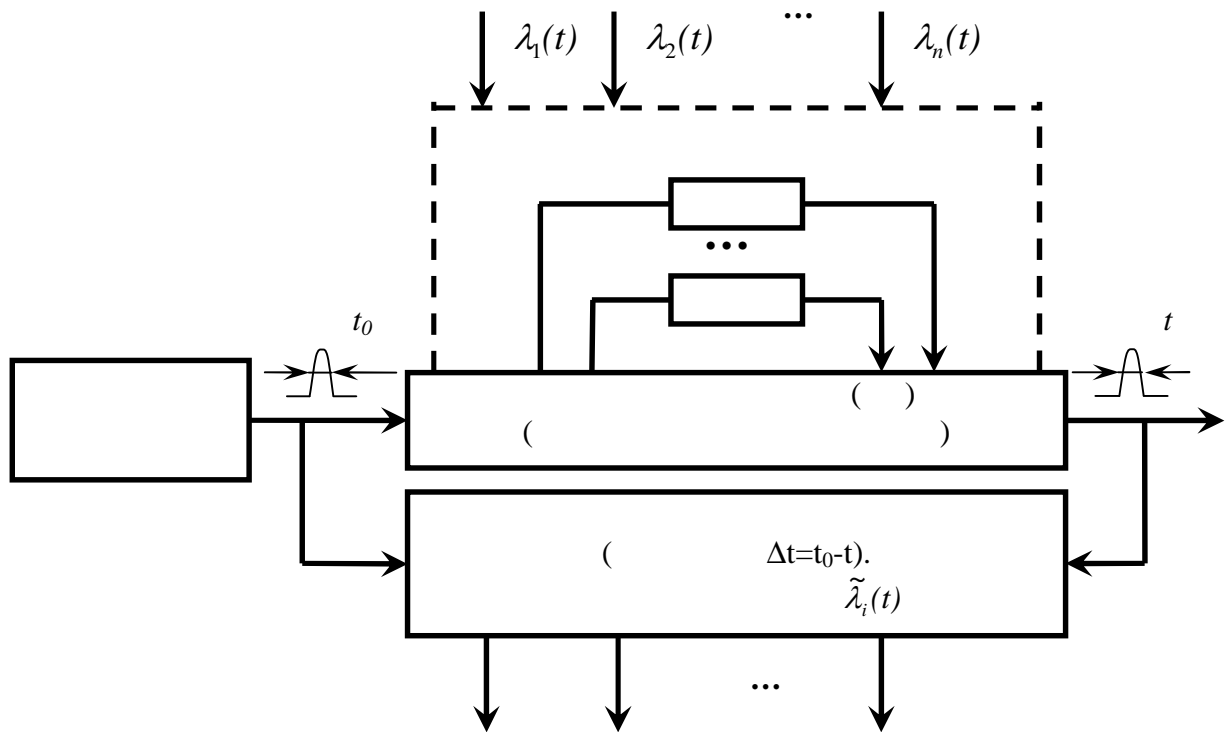
. 2
1.

N

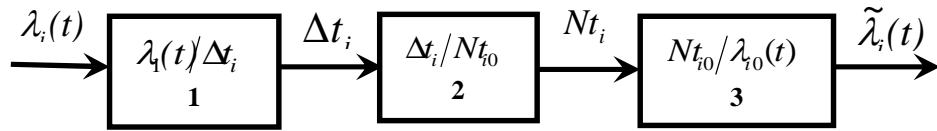
t_0 ;

t_i

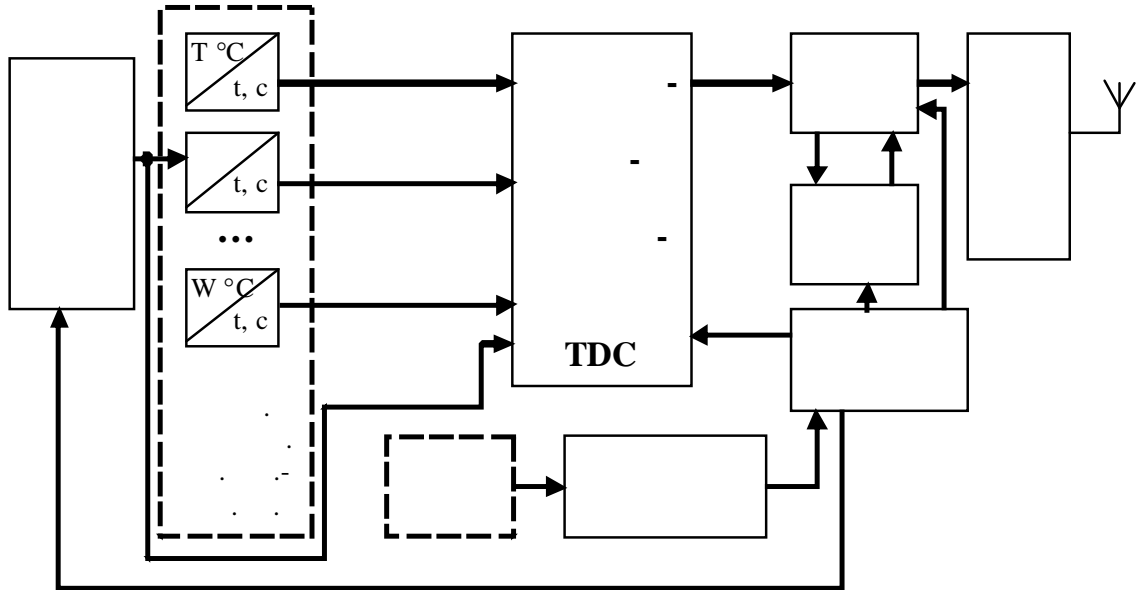
$\lambda_i(t)$
 t_i .



. 2.



.3.



.4.

.4.

:

() ;

(),

(),

(TDC);

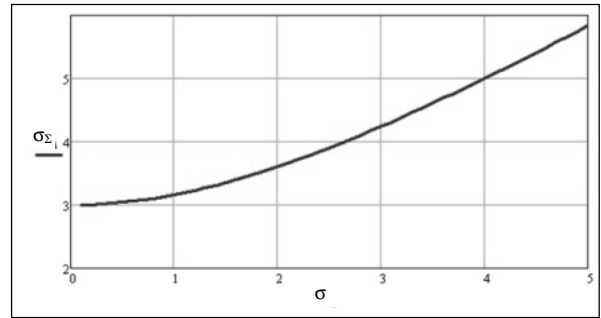
().

();

().

(.1)

σ ,
 $()$,
 $()$.



. 5. σ_{Σ} ,
 $\sigma = 3$

$$\begin{aligned}
 & 1+ 2+ 3+ 4+ \dots + n, \\
 & r_{12}, r_{13}, r_{14}, \dots, r_{1k}, \dots \\
 & \sigma_1, \sigma_2, \dots, \sigma_n,
 \end{aligned}$$

0,45σ .

$$D = D[\sigma_1] + D[\sigma_2] + D[\sigma_3] + \dots + D[\sigma_n] + \sum_{i \neq k} r_{ik} \sigma_i \sigma_k \quad (3)$$

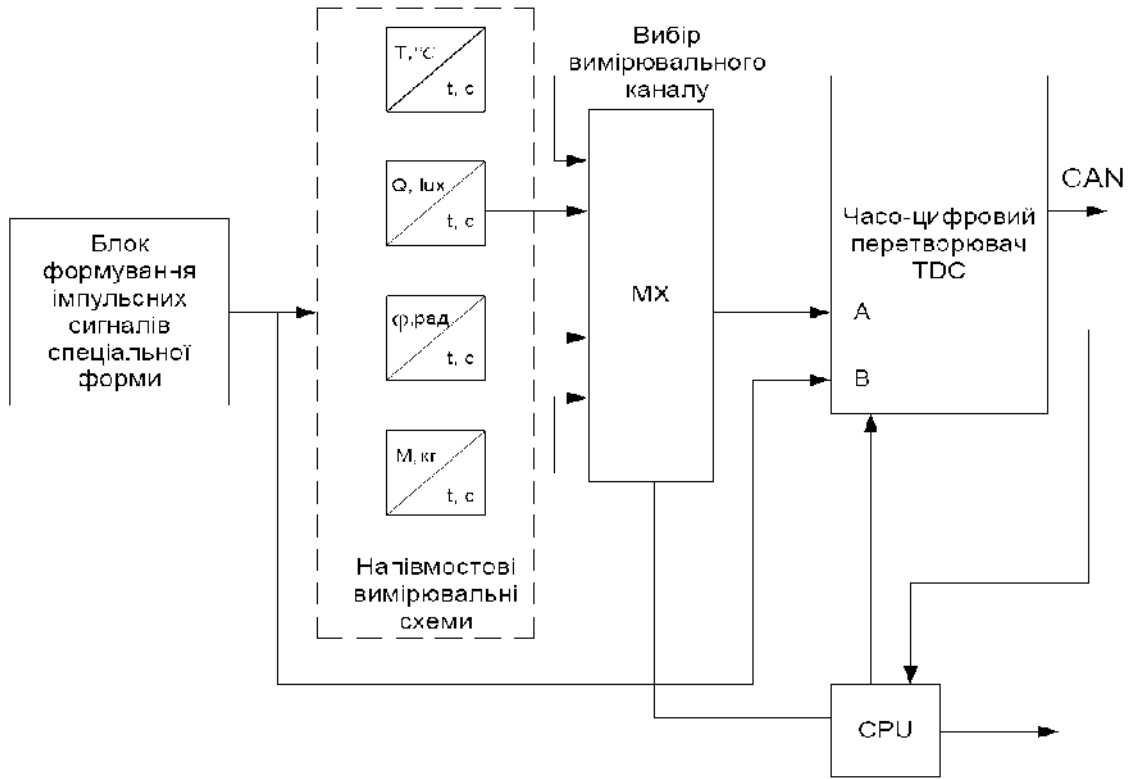
[10].

$$\sigma_{\Sigma} = \sqrt{\sigma^2 + \sigma^2 + \sigma^2} = \sqrt{\sigma^2 + \sigma^2}$$

(4) 18-21,5 .

(4) (4).

σ_{Σ} ,
 σ ,



.6.

1. V 2008-2012 .
2. / , 2009 – 280 .
3. , 1999. – .1. – 376 .
4. / , 2007. – 672 .
5. , 1987. – 256 .
6. , 2003. – 167 .
7. / // . – 2006. – 66. – . 164–173.
8. / // – 2005. – 4 (68). – .1. – . 147–151.
9. / // тету Поділля. – 2004. – №2. – Ч.1. – С. 159–162.

